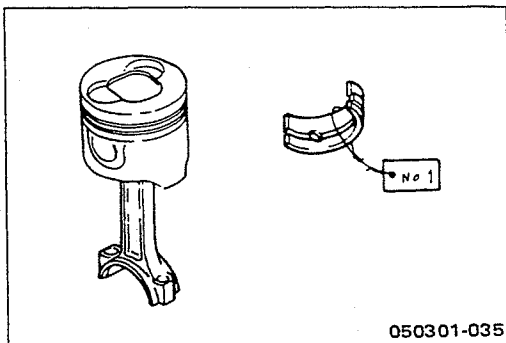


05030401



Important Operations

0503040101

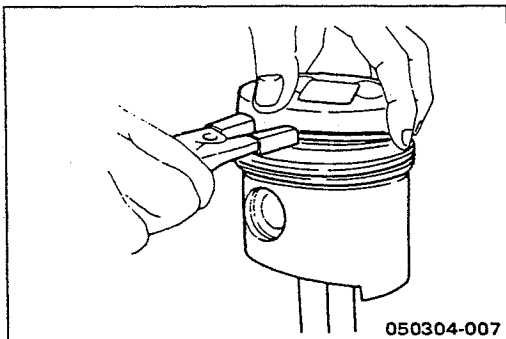


050301-035

▲ Connecting Rod Bearing

If the connecting rod bearings are to be reinstalled, mark their fitting positions by tagging each bearing with the cylinder number from which it was removed.

0503040102



050304-007



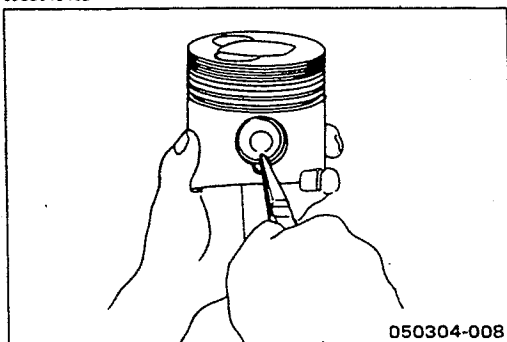
▲ Piston Ring

- 1) Clamp the connecting rod in a vise.
Take care not to damage the connecting rod.
- 2) Use a piston ring replacer to remove the piston rings.

Piston Ring Replacer

Do not attempt to use some other tool to remove the piston rings. Piston ring stretching will result in reduced piston ring tension.

0503040103



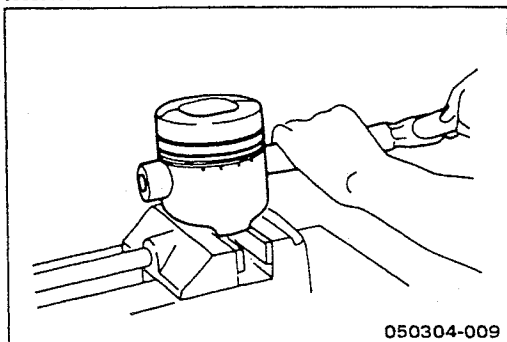
050304-008



▲ Piston Pin Snap Ring

Use a pair of snap ring pliers to remove the piston pin snap rings.

0503040104



050304-009

▲ Piston Pin

▲ Piston

Tap the piston pin out with a hammer and a brass bar. If the pistons and piston pins are to be reinstalled, mark their installation positions by tagging each piston and piston pin with the cylinder number from which it was removed.